

# 45 Watts Thermoelectric Power Generator For Stove

## Description

The below is a thermoelectric power generator for Gas Stove or Wood Stove or any other heat sources. The generator can be placed on the top surface or mounted onto the side wall of stove to generate the electricity for charging the battery and powering electronics with its 12VDC and 5VDC outputs. The generator comes with a self-powered fan to dissipate the heat. When the hot plate of the generator is heated to 350°C, the output power will go over 45 watts. The Generator is good for running on up to 450°C heat source surface. It is not only a power generator, but also help circulates the heat with its attached fan.

The unit is, light in weight, small in size, easy to carry or install to any hot surface.



Mounting to the side wall of the heater to generate free electricity

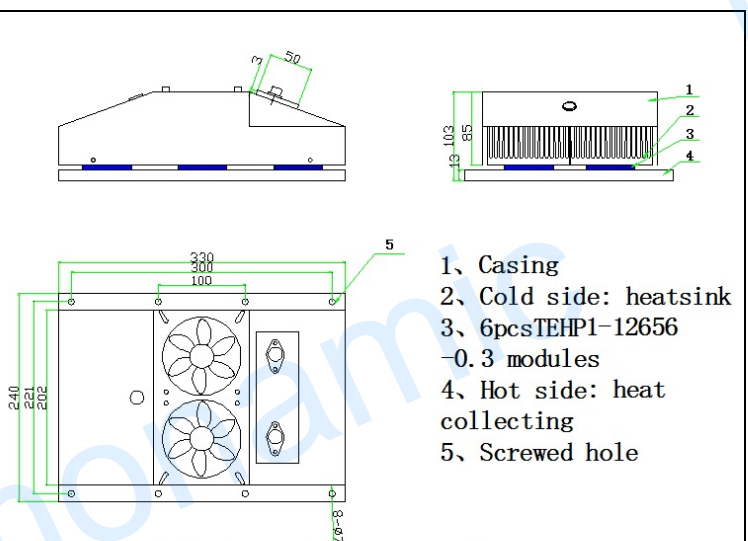


The 45W generator comes with the wire for the outputs:12VDC car lighter adapter, 5V USB, and 13.8V for deep battery charger.

## Specifications :

Part Number	TEG45-12V-M
Output Power	45Watts
Output Voltage	12VDC from car cigarette lighter adapter and 5VDC from a USB port
Output Voltage from Charger	>13VDC
Maximum Hot Surface Temperature	450°C
Dimension Size	330mmx220mmx108mm
Weight	8kgs

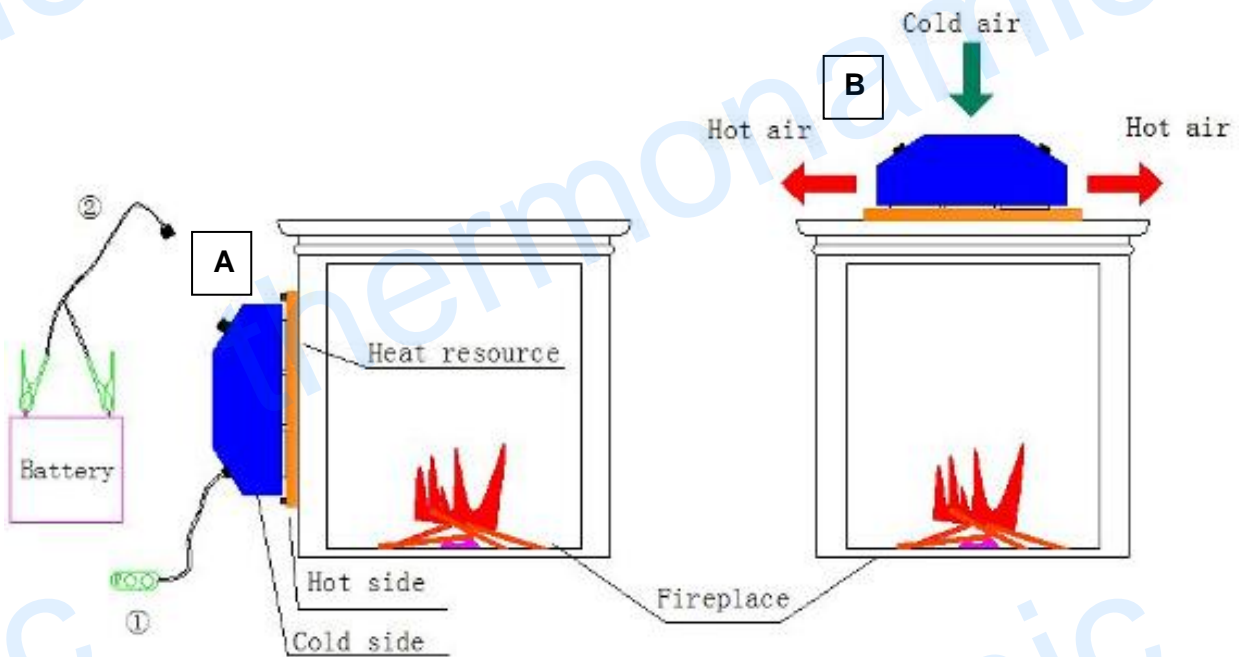
The output above is under 450°C surface temperature of hot sourced



45W thermoelectric power Generator Diagram

**How To Use :**

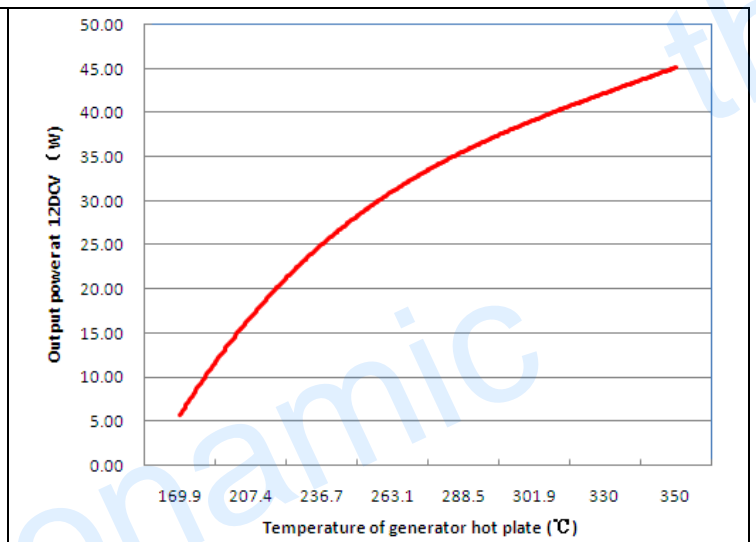
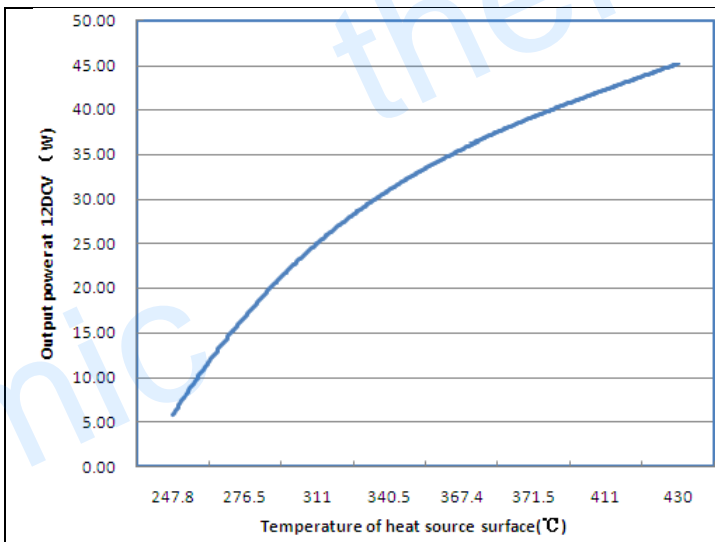
- A: Mounting to the side wall of heat resource by screws
- B: Placed on the surface of heat resource easily



The plug ① gives the output of 12VDC from cigarette lighter socket and 5VDC from its USB port. The plug ② give over 13VDC for battery charging.

It circulates the hot air for large area heating and save the energy.

**The Output Performance:**



## Instructions in use

(1) Put the generator on the heat source surface or mount it onto the wall of heat resource. About 30 seconds later, the cooling fan of the generator starts running. Wait for 5 minutes till the cooling fan running at full speed. Then you can add the load on the generator.

(2) How to install and uninstall output wires:

Install:



① Prepare installation



② Align and insert



③ Clockwise rotate to lock



④ Completed installation

Uninstall:



① Prepare uninstallation



② Anticlockwise rotate to unlock



③ Pull out



④ Completed uninstallation

## Notes

- (1) The casing will become a bit hot after a while. Do not touch the generator casing.
- (2) 30 seconds after the generator is placed on the heat source surface, please check if the fans start to rotate. If you do not see the fan starts to blow the air. Please take out the generator to check. To remove, please use the hanger on the top of the generator.
- (3) Generator can operates at temperature up to 450°C heat source surface.

## Packing List

- |     |                                   |          |
|-----|-----------------------------------|----------|
| (1) | 45W generator                     | one set  |
| (2) | Cigarette lighter (with USB port) | one set  |
| (3) | Battery Charging clip             | one pair |

## Serial Number

Date	
NO.	